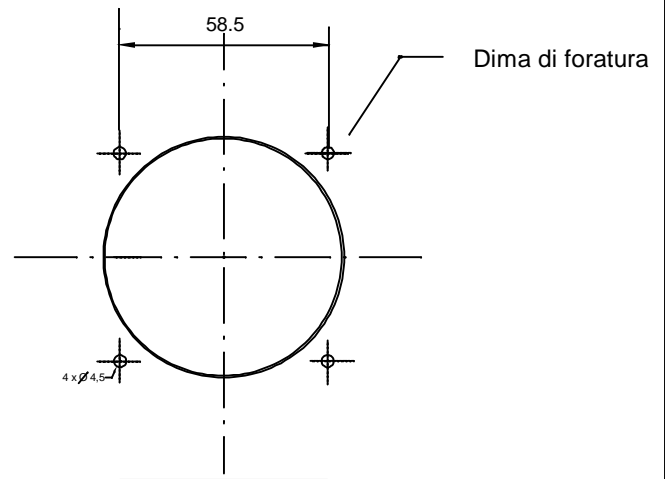


- Assente
Absent
Abwesend
- Presente
Present
Anwesend



JOYSTICK TK IMPUGNATURA T/R

